



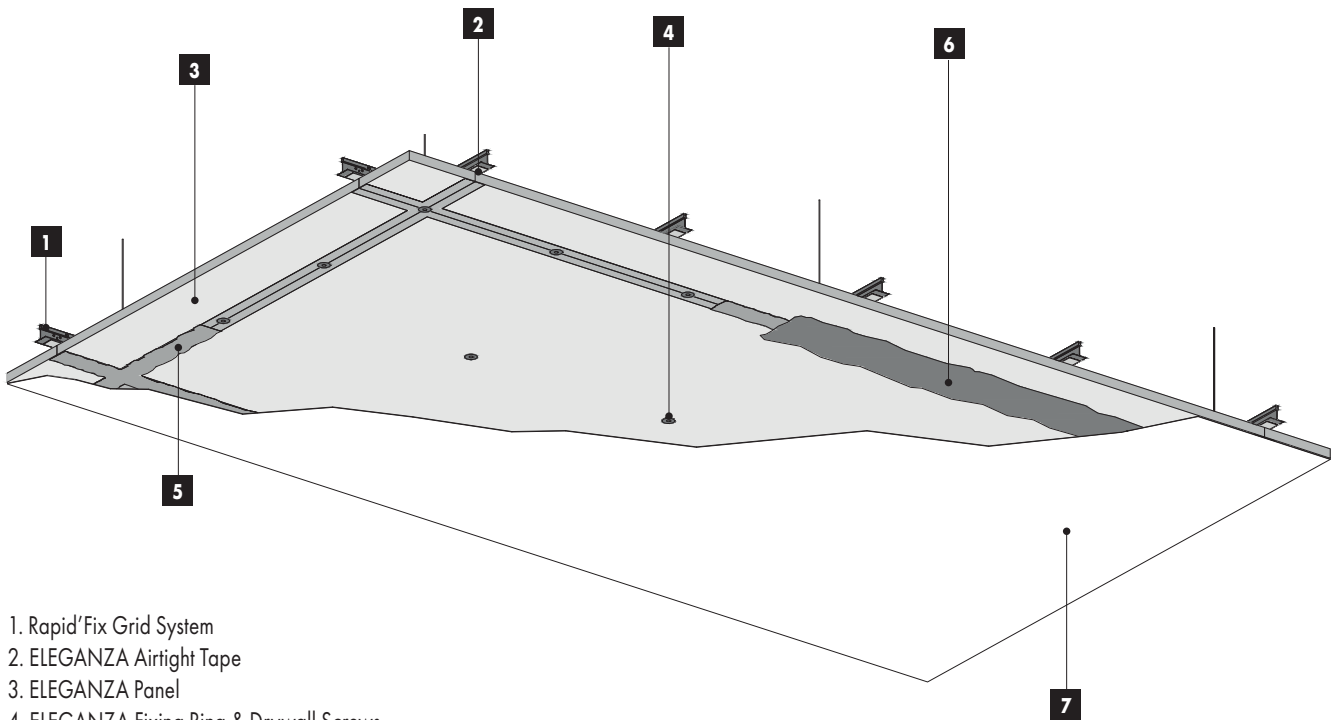
E ELEGANZA[®]
Seamless Acoustics

INSTALLATION GUIDE

INDEX

SYSTEM OVERVIEW	3
INSTALLATION CONDITIONS	4-5
ELEGANZA INSTALLATION PROCESS OVERVIEW	7
STEP 1: RAPID'FIX GRID SYSTEM INSTALLATION	8-11
STEP 2: INSTALL ELEGANZA PANELS	12-14
STEP 3: ELEGANZA ACOUSTIC JOINT FILLER AND ACOUSTIC JOINT FINISH APPLICATION	15-18
STEP 4: ELEGANZA SILENT PLASTER ACOUSTIC FINISH APPLICATION	19-20
INTEGRATION OF SERVICE ELEMENTS	21
CLEANING, MAINTENANCE AND REPAIR	22
GENERAL GUIDELINES AND COMMENTS	23
ELEGANZA DETAILS AND DRAWINGS	24-32

SYSTEM OVERVIEW



1. Rapid'Fix Grid System
2. ELEGANZA Airtight Tape
3. ELEGANZA Panel
4. ELEGANZA Fixing Ring & Drywall Screws
5. ELEGANZA Acoustic Joint Filler
6. ELEGANZA Acoustic Joint Finish
7. ELEGANZA Silent Plaster

ELEGANZA[®] Seamless Acoustics

Acoustics & Design without compromise.

ELEGANZA[™] Seamless Acoustics offers a groundbreaking new system with a 100% seamless finish featuring an elegant finely textured visual that is durable, robust and long-lasting. With ELEGANZA[™] Seamless Acoustics you get high-class sound absorption and the best of both worlds: outstanding sound absorption and a stunning seamless finish.

Benefits

- 100% seamless – the absence of visible joints provides a long-lasting durable finish and a monolithic appearance
- Class A sound absorption for improved acoustic comfort performances
- Durable surface thanks to an airtight system and a finely textured surface
- Full-system solution from a unique supplier for a reassuring system guarantee
- Large panels and few joints making it easy and fast to install
- Complete solution compatible with standard accessories

Application areas

- Retail
- Leisure & Hospitality
- Office
- Healthcare
- Education
- Residential

INSTALLATION CONDITIONS

Site conditions

- The building envelope must be weather-tight, watertight and tidy.
- Wet work that can lead to an increase in relative humidity in the room must be completed.
- The required drying-out period of previous work must be observed so that the requirements for relative humidity incl. temperatures of the room (see table below) during installation of ELEGANZA are met at all times.
- In most cases, mechanical ventilation/construction dryers and dehumidifiers must be used to ensure compliance with the conditions mentioned below.
- ELEGANZA is a premium interior finish, and as such should only be installed in the appropriate interior conditions as described below.

Interior Installation Conditions - Relative humidity (RH) and temperature (T)

There are different environmental conditions for the different stages of the ELEGANZA installation.

Environmental Conditions by Installation Stage

Installation Stage	Recommended Temperature	Relative Humidity
Rapid'Fix Installation	18°C (minimum 10°C)	40% - 70%
ELEGANZA Panel Installation	18°C (minimum 10°C)	40% - 70%
ELEGANZA Acoustic Filler/Finish Jointing	20°C (minimum 15°C)	50% - 70%
ELEGANZA Silent Plaster Finishing	20°C (minimum 15°C)	50% - 70%

- The temperature and relative humidity must meet the above environmental conditions at least three days before the joint work and Silent Plaster finishing is to be carried out.
- During the installation of the ELEGANZA™ Seamless Acoustics system, the relative humidity and temperature conditions must be maintained at all times, with particular attention to temperature drops / humidity increases during the night or unoccupied times.
- Climatic conditions should be monitored and recorded during the work by a trained ELEGANZA installer using the hygrometer (ELEGANZA Quality Check #2)
- The temperature and air humidity must be kept as constant as possible, indeed, it is desirable that they are equal to the end use conditions of the building. Large and / or rapid changes in this can lead to installation quality issues. Temperature changes must be a maximum of ± 3 °C per 24-hour period.
- Bear in mind that there may also be a short-term increase in air humidity due to work being carried out. However, this increased air humidity must not lead to a permanent increase in relative humidity and thus impair the drying process.
- Ensuring sufficient air movement and ventilation during installation is essential in the drying process and ensuring that the correct humidity conditions are maintained. Therefore, a dehumidifier can also be helpful. Please note hot or cold air should not be blown directly onto the surface of the ELEGANZA™ Seamless Acoustics system.

Installation and Quality Check Tools

Item Nr.	Designation	Description
712922	ELEGANZA Quality Check #1 - Moisture Meter	Moisture Meter
712923	ELEGANZA Quality Check #2 - Hygrometer	Regular Hygrometer / Thermometer
712924	ELEGANZA Quality Check #3 - Level Gauge	40cm Spatula + Plastic Card 0.7mm
712925	ELEGANZA Quality Check #4 - ELEGANZA Cutter	Joint Preparation Tool
712921	ELEGANZA Installer Tool Kit	Contains the four items above (Moisture Meter, Hygrometer, Level Gauge, Joint Preparation Tool)

Checklist: Equipment and tools

Designation	Description	Designation	Description
Protective film	Equipment	Laser level	Tool
Masking tape	Equipment	Tape measure	Tool
Mobile scaffold	Equipment	Pencil	Tool
Panel lift	Equipment	Utility knife	Tool
Spray pump	Equipment	Screw gun	Tool
Compressor	Equipment	Drywall filler trowel (10/15/20cm)	Tool
Portable floodlight	Equipment	Plaster mixer	Tool
Knauf Fix & Finish Maleracryl (Acrylic based sealant)	Equipment	Drill	Tool
Panel Adhesive, e.g., Knauf Power Elast or Illbruck PU010	Equipment	Tin snips	Tool
Safety glasses	Personal protective equipment (PPE)	Angle grinder	Tool
Safety gloves	PPE	"Giraffe" sander	Tool
Dust mask	PPE	Caulking gun	Tool
Safety shoes	PPE	Chalk line	Tool
Hearing protection	PPE		
Overalls	PPE		

- No guarantee of completeness, may vary depending on the object.

Material consumption

Item Nr.	Designation	Material quantity guide per m ²
463329	Rapid'Fix Unhemmed C-Channel	0.70 lm
463327	Rapid'Fix Main Runner	0.84 lm
463326	Rapid'Fix Cross Tee	1.67 lm
784991	Nonius Upper Part	0.70 pcs
	Nonius Bottom Part	0.70 pcs
	Nonius Connector Pin	1.40 pcs
712915	ELEGANZA Airtight Tape	3.40 lm
742070	ELEGANZA Panel	1 m ² (excluding wastage)
712916	ELEGANZA Fixing Ring	6 pcs
712918	ELEGANZA Acoustic Joint Filler	0.2 kg
712919	ELEGANZA Acoustic Joint Finish	0.2 kg
712920	ELEGANZA Silent Plaster	2 kg
	Knauf Fix & Finish Maleracryl	0.1 tube

- These quantities are indicative and may vary depending on the specifics of the installation, wastage and application rates.

General information

- Before the installation, the overall building physics of the building must be assessed.
- Before starting work, the installer must have a final ceiling plan. All necessary installations, access hatches, etc. should be noted in this.
- ELEGANZA Panels must always be protected from moisture and weather.
- ELEGANZA Panels should always be stored flat.
- ELEGANZA Panels must be stored in the room for a minimum of 24 hours before installation in order to acclimatise to the jobsite conditions.
- Care should be taken during storage and installation to make sure that components of the ELEGANZA™ Seamless Acoustics system are not damaged. Products and panels with recognisable defects or damage must not be installed.
- Installation and finishing of the ELEGANZA™ Seamless Acoustics system may only be performed by trained installers who have successfully completed the ELEGANZA installation course and hold a current ELEGANZA Trained Installer certificate.
- The ELEGANZA™ Seamless Acoustics system must only be installed using ELEGANZA components as detailed in this installation guide. Using alternative materials will result in the revocation of the ELEGANZA warranty.
- ELEGANZA Panels must be installed in the appropriate temperature and humidity conditions (see Interior Installation Conditions section).
- Always use the appropriate PPE for each stage of the ELEGANZA™ Seamless Acoustics system installation.
- This installation guideline does not contain special instructions for fire protection requirements.

Pressure difference / convection

Pressure differences between the room and the plenum should be kept minimal. ELEGANZA Panels have a foil backing and are installed with the ELEGANZA Airtight Tape at each joint to minimise filtering effects due to pressure differences and convection. However, it is good practice and recommended that the pressure in the room and the ceiling void be equal.

Please see the installation details and drawings section for more information.

Grazing light

If there is any unfavourable/excessive illumination at an oblique angle to the ceiling, then minor variations in the surface due to the manual finishing of the ceiling may be visible even though the installation is within specification and tolerances.

To reduce the risk of grazing light as much as possible, the Main Runners of the Rapid'Fix installation should be installed perpendicular to the light source/window, so that the long sides of the ELEGANZA panels are in the same direction as the primary incident light (see picture on the right-hand side).

If the incidence of grazing light is to be expected on different sides of the room, it is recommended to orient the alignment of the Main Runners from the sunrise to the sunset side (along the course of the sun).

For guidelines and assessment of grazing light, please refer to the TBA guideline for seamless acoustic ceilings.



ELEGANZA™ INSTALLATION PROCESS OVERVIEW

STEP 1: RAPID'FIX INSTALLATION

1.a: Define layout & install Rapid'Fix Grid System

Tools/Equipment Needed: Laser level, drill, tape measure, pencil, tin snips, screw gun, safety glasses, safety gloves, safety shoes

1.b: Install the Airtight Tape

Tools/Equipment Needed: Utility knife, safety glasses, safety gloves, safety shoes



STEP 2: INSTALL ELEGANZA PANELS

Tools/Equipment Needed: ELEGANZA Joint Preparation Tool, platform lift, tape measure, pencil, utility knife, screw gun, safety glasses, safety gloves, safety shoes, dust mask



STEP 3: ELEGANZA ACOUSTIC JOINT FILLER AND ACOUSTIC JOINT FINISH APPLICATION

3.a: First ELEGANZA Acoustic Joint Filler application

Tools Needed: 10cm Drywall filler trowel, mixer, safety glasses, safety gloves, safety shoes, dust mask, ELEGANZA Quality Check #3 - Level Gauge

3.b: Second ELEGANZA Acoustic Joint Filler application

Tools Needed: 15cm Drywall filler trowel, mixer, safety glasses, safety gloves, safety shoes, dust mask, ELEGANZA Quality Check #3 - Level Gauge

3.c: ELEGANZA Joint Finish application

Tools Needed: 20cm Drywall filler trowel, acrylic based sealant, mixer, safety glasses, safety gloves, safety shoes, dust mask, hearing protection ELEGANZA Quality Check #3 - Level Gauge

3.d: Sanding of filled panel joints/fixing points

Tools Needed: "Giraffe" sander, 20mm Drywall filler trowel, safety glasses, safety gloves, safety shoes, dust mask, ELEGANZA Quality Check #3 - Level Gauge



STEP 4: ELEGANZA SILENT PLASTER ACOUSTIC FINISH APPLICATION

Tools / Equipment Needed: Protective film, masking tape, ELEGANZA compressor, ELEGANZA Sprayer, hearing protection, safety glasses, safety gloves, safety shoes, dust mask, overalls

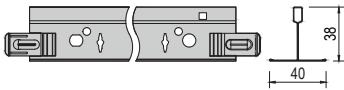


STEP 1: RAPID'FIX GRID SYSTEM INSTALLATION

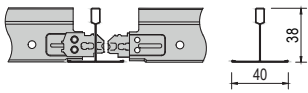


Rapid'Fix Components

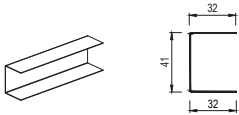
GRID STRUCTURE FOR SCREW FIXING



Item reference	Designation	length	Dimensions (mm) width	height	Content/ Carton (pcs)	Material quantity/m ²
Main Runners						
463327	DXSF40XH370X	3700	40	38	12	0.84 lm



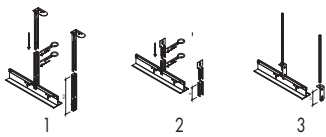
Cross Tees						
463326	DXS40XH120X	1200	40	38	34	1.67 lm
463328	DXS40XH60X	600	40	38	34	optional



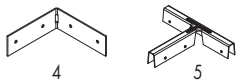
Unhemmed C-Channel						
463329	MUSF40X	3000	32	41	10	0.70 lm

Airtight Tape						
712915	ELEGANZA Airtight Tape	6000	40	2	13	3.40 lm

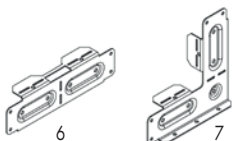
Please find drawings on the next page.



Hanger Options							
1	784991	Nonius Bottom for T-Bar (40 kg)	150	-	-	100	0.70 pcs
or							
2	109115	Short Nonius Hanger (upper & lower part) SAH5 40-80	-	-	-	100	0.70 pcs
or							
3	760684	Hanger M6 Threaded Rod	-	-	57	100	0.70 pcs



Reinforcement Accessories Options							
4	713010	Drywall Adapter Clip	-	-	-	100	optional
5	109064	DB 3 T-Connector	-	-	-	100	optional

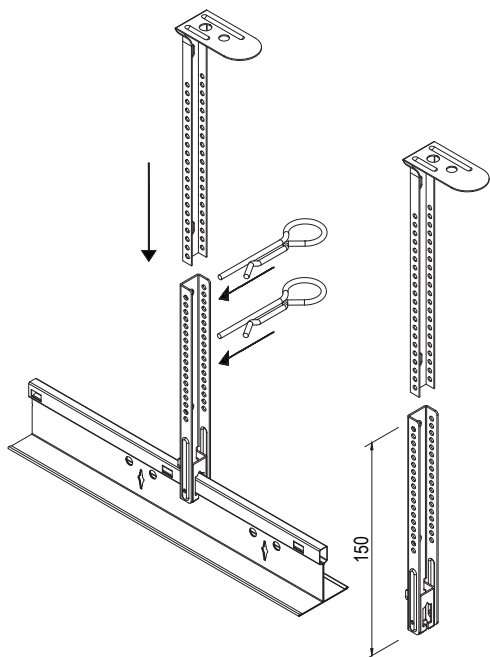


Rapid'Fix Connector							
6	316188	DGSC180 Connector 180°	-	-	-	100	optional
7	316189	DGTC90 Connector 90°	-	-	-	100	optional

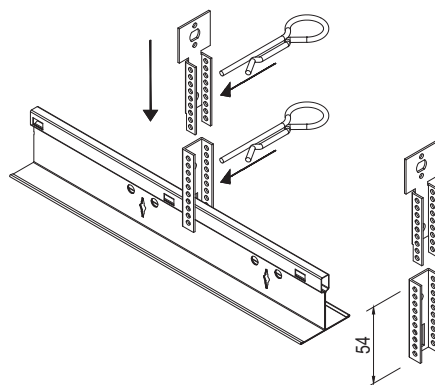
Cross Tee alignment is achieved by locating the tees to the left-hand side of the adjoining section. All measurements in millimetres. All sizes are nominal.

Rigid Suspension Options

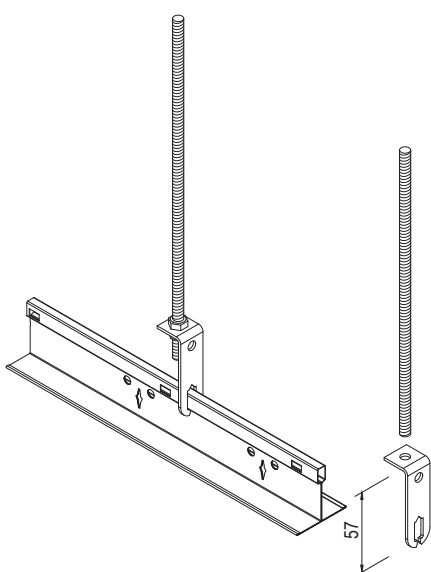
1. Nonius Bottom Nr. 228 40 kg



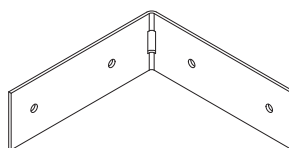
2. Short Nonius Hanger (Upper & Lower Part)



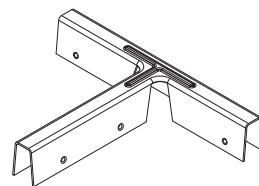
3. Hanger M6 Threaded Rod



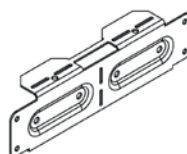
4. Drywall Adapter Clip



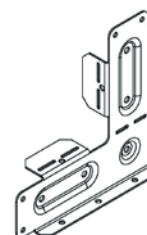
5. DB 3 T-Connector



6. DGSC180 Connector 180°



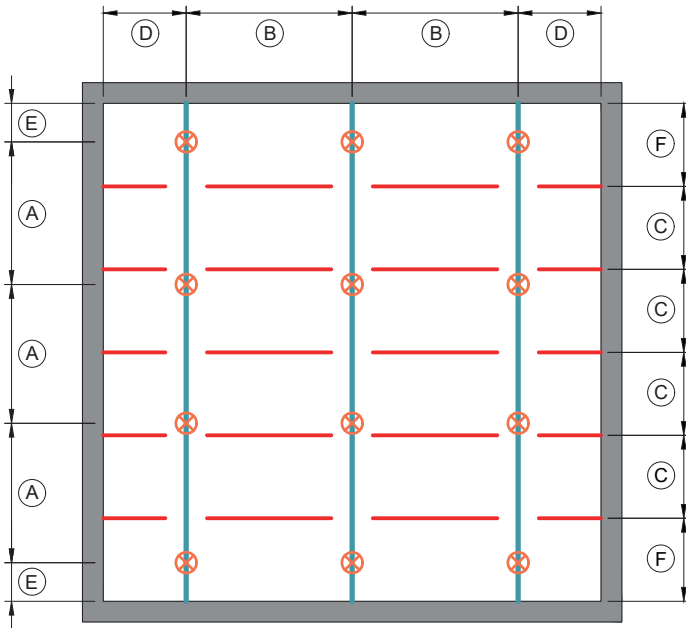
7. DGTC90 Connector 90°



Tools required:

Laser level, drill, tape measure, pencil, tin snips, screw gun, angle grinder and utility knife.

1.a: Define layout & install Rapid'Fix Grid System



- Rapid'Fix Main Runners
- Rapid'Fix Cross Tees
- Hanger

Specifications:

(A) Max. hanger spacing*	1200mm
(B) Rapid'Fix Main Runners spacing	1200mm
(C) Rapid'Fix Cross Tees spacing	600mm
(D) Main Runner max. distance from wall	600mm
(E) First hanger max. distance from wall	600mm
(F) Cross Tee max. distance from wall	600mm

* Due to constructional or object-related situations, closer hanger spacing may be required. These can be found in the load table below. For installation where grazing light is a concern, ensure that the grid is installed in the recommended orientation. See page 6 for more information.

RAPID'FIX®

Load Table

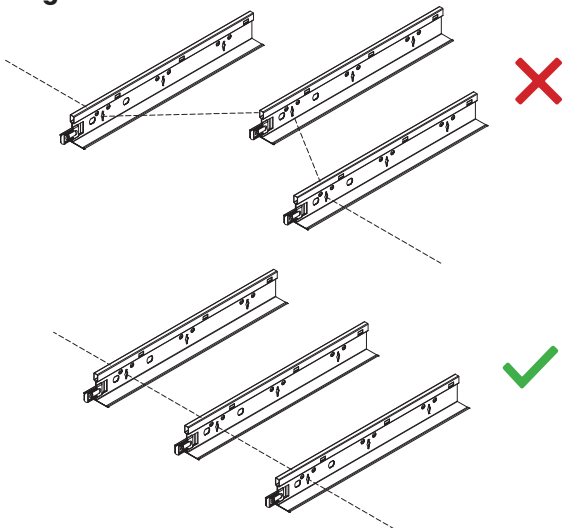
Maximum weight per unit area allowed (kg/m²)

Main Runner distances	1200mm		600mm		
	Hanger distance A (mm)	Cross Tee distance 600	Cross Tee distance 500	Cross Tee distance 600	Cross Tee distance 500
800		18.9	21.4	30.0	30.0
1000		14.2	16.0	30.0	30.0
1200		9.6	10.0	21.3	22.0

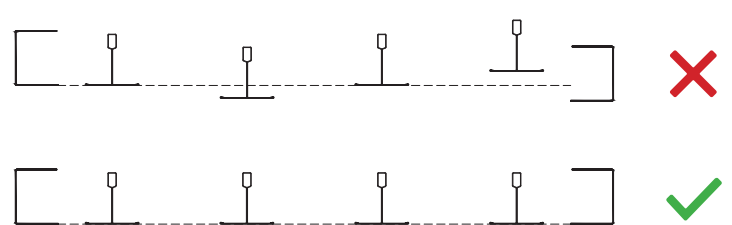
Note: The load per m² must be evenly distributed (no extra point loads). After loading, the deflection will remain within the permitted deflection according to class 1 (L/500) of EN 13964, provided the grid is laid out as shown.

For other grid layouts, load capacities or hanger distances, please contact Knauf Ceiling Solutions.

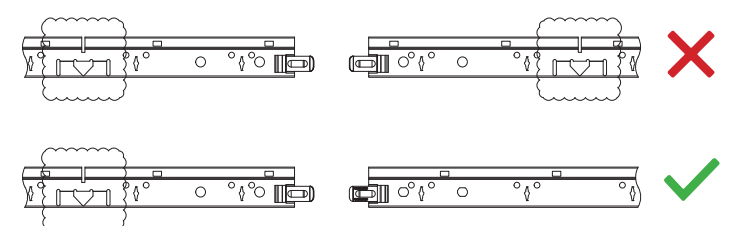
Aligned



Levelled



Main Runners Direction



The installation must be in accordance with Knauf Ceiling Solutions installation recommendations for Rapid'Fix Grid System.



1 Use the laser level to establish the level of C-Channel Perimeter Trim and Rapid'Fix system (25mm above finished ceiling height).



2 Attach the C-Channel Perimeter Trim to the wall at maximum 400mm centres. The choice of the connecting element must be appropriate for the underlying structure.



3 Mark the positions for the fixing of the hangers.



4 Fix upper part of the Nonius Hanger to the soffit. In the following, the individual steps refer to the Nonius Hanger; alternatively, the hangers shown on p. 9 are to be used accordingly.



5 Attach the lower part of the Nonius Hanger to the Rapid'Fix Main Runner.



6 Offer up the lower part of the Nonius to the upper part so that the face of the Rapid'Fix Main Runner is at the correct height.



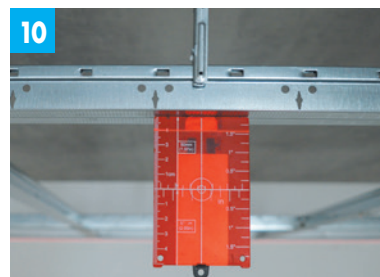
7 Connect the lower and upper parts of the Nonius Hanger using two connecting pins.



8 Connect Main Runners together.



9 Install the Rapid'Fix Cross Tees at 600mm centres between the Main Runners.

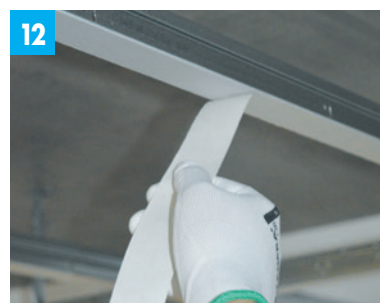


10 Check the height and level of the Rapid'Fix suspension system. Check the substructure for perpendicularity.

1.b: Install the Airtight Tape



11 Install the ELEGANZA Airtight Tape on the underside of all Rapid'Fix grid and Perimeter Trim components. Make sure there are no gaps or overlaps. These are also not permitted at intersections and can lead to leaks and consequential damage.



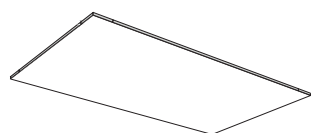
12 Remove the protective film from the ELEGANZA Airtight Tape.

STEP 2:

INSTALL ELEGANZA PANELS



Components for Installing ELEGANZA Panels



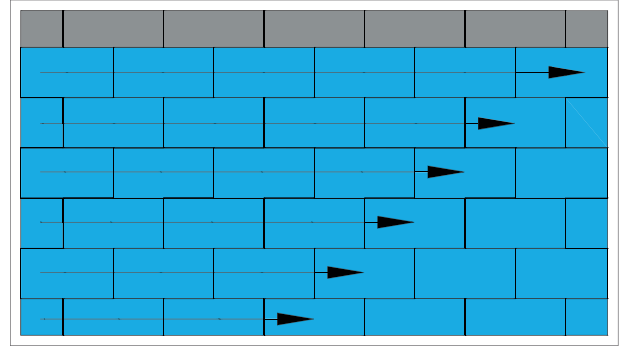
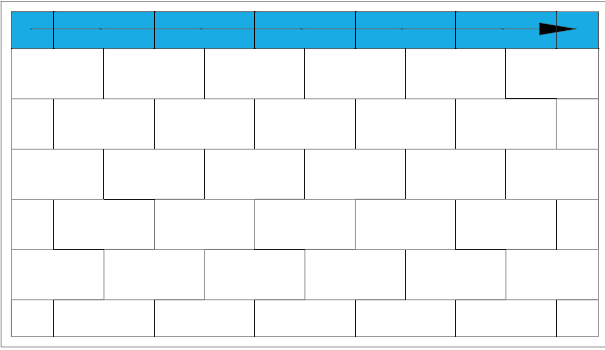
Item reference	Designation	length	Dimensions (mm) width	height	Content/ Carton (pcs)	Material quantity/m ²
742070	ELEGANZA Element	2400	1200	25	40	0.35 pcs (excluding wastage)
712925	ELEGANZA Cutter	1300	560	570	1	
712916	ELEGANZA Fixing Ring	Ø 36	-	3	100	6 pcs
-	Drywall Screws TN 3.5 with Fine Thread (by Knauf)	35	3.5	-	250	6 pcs
-	Panel Lift	-	-	-		optional



Tools required:

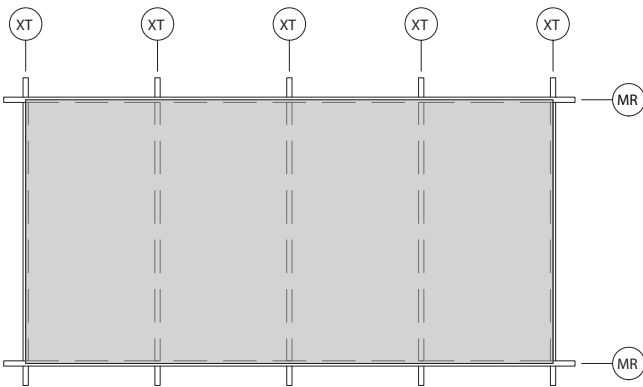
Platform lift, tape measure, pencil, utility knife, screw gun

1



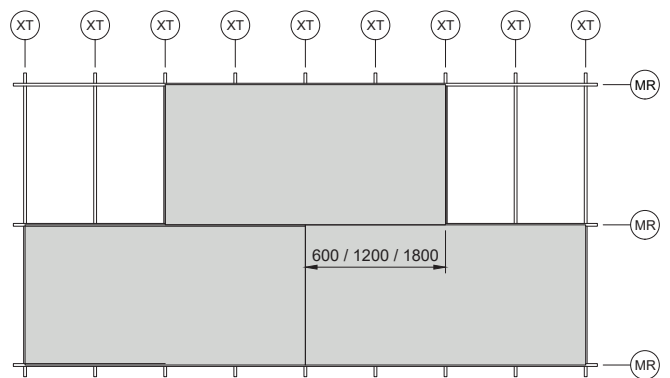
Define the installation sequence of the ELEGANZA panels starting from one wall. Alternatively, the panels can be installed starting from the centre of the room.

2



ELEGANZA panels must be installed with the long edges directly under the Rapid'Fix Main Runners (MR) and the short edges directly under the Rapid'Fix Cross Tees (XT). The panel joint must be aligned with the centre of each profile.

3



ELEGANZA panels in adjacent rows of Rapid'Fix Main Runners should be offset 600 / 1200 / 1800mm.

4



Determine the cut ELEGANZA panel size.

5



Cut the ELEGANZA Panels to the required size using a utility knife.

6



Use the ELEGANZA Cutter to remove approx. 20mm of the ELEGANZA Panel scrim on all sides where two panels abut.

7



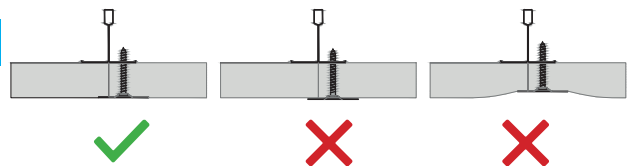
Mark the fixing points in the centre of the ELEGANZA Panel as shown in the screwing diagram on page 14.

8

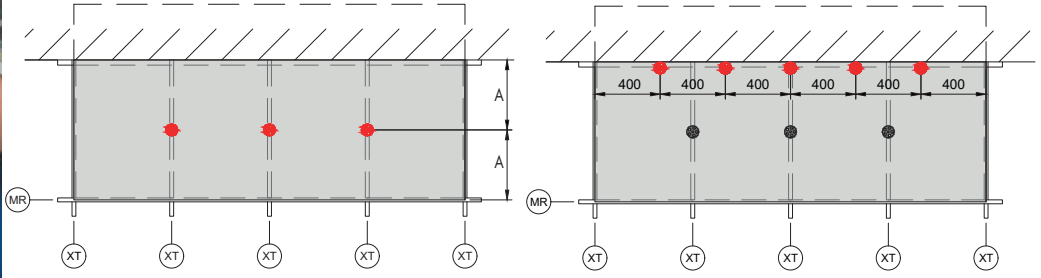


Mark the fixing points on the edges of the ELEGANZA panels as shown in the screwing diagram on page 14.

9



When installing ELEGANZA panels, the ELEGANZA Fixing Rings and drywall screw heads should be flush with the face of the ELEGANZA panel (i.e., not proud or screwed in too far).



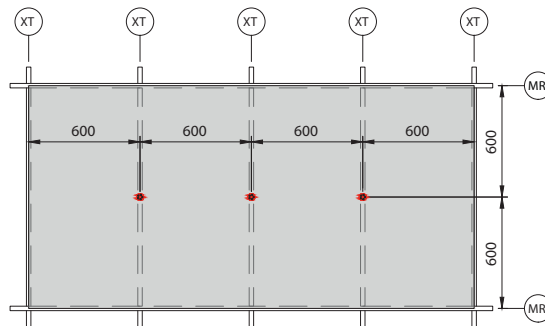
Manually lift the cut perimeter ELEGANZA panels into position and with fixing ring to the central Rapid'Fix Cross Tees. Also fix to the C-Channel Perimeter Trim at 400mm centres.



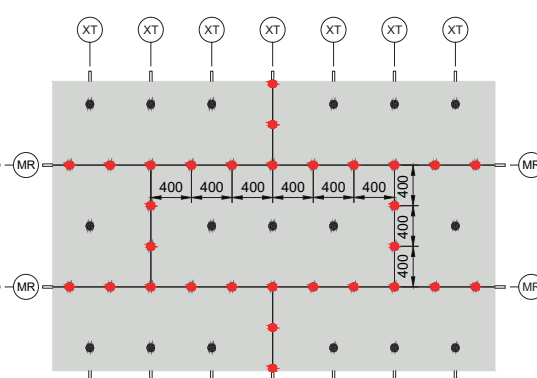
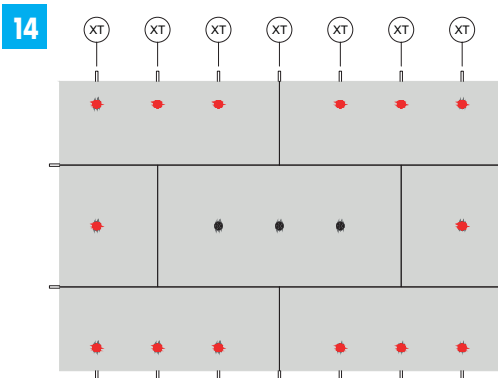
For full ELEGANZA Panels, use the ELEGANZA Joint preparation tool to remove 20mm scrim on all sides. Mark all fixing points on the centre and the edges of the panel as shown in processing step 13.



For full ELEGANZA Panels, a Panel Lift should be used.



Initially, fix the ELEGANZA Panel to the central Rapid'Fix Cross Tees with ELEGANZA Fixing Rings.



Once adjacent ELEGANZA panels have been installed, fix both panels with ELEGANZA Fixing Rings at 400mm centres to the Rapid'Fix Main Runners & Cross Tees.

STEP 3:

ELEGANZA ACOUSTIC JOINT FILLER AND ACOUSTIC JOINT FINISH APPLICATION



Components for Joint Filling



Item reference	Designation	length	Dimensions (mm) width	height	Content/ Bucket (kg)	Material quantity/m ²
712918	ELEGANZA Acoustic Joint Filler	Ø 220	-	185	5	0.2 kg
712919	ELEGANZA Acoustic Joint Finish	Ø 300	-	310	16.5	0.2 kg
-	Knauf Fix & Finish Maleracryl	-	-	-	300 ml	0.1 tube

Tools required:

10 / 15 / 20cm Drywall filler trowel, mixer, ELEGANZA Quality Check #3 - Level Gauge

3.a: First ELEGANZA Acoustic Joint Filler Application



1 Mix ELEGANZA Acoustic Joint Filler with water using a mixer tool as per packaging instructions.



2 Apply a first coat of the ELEGANZA Acoustic Joint Filler in a total width of approx. 10cm along all panel joints.



3 During application, continuously check the flatness of the ELEGANZA Acoustic Joint Filler.



4 Apply a first coat of ELEGANZA Acoustic Joint Filler at the fixing points.



5 The ELEGANZA Acoustic Joint Filler should always be flush with the fleece surface of the ELEGANZA panel.



6 Let the ELEGANZA Acoustic Joint Filler dry for at least 6 hours or as long as necessary depending on the environmental conditions (see page 4).

3.b: Second ELEGANZA Acoustic Joint Filler Application



7 Before starting the second application of ELEGANZA Acoustic Joint Filler, the first layer must be checked to ensure that it is fully dry (using moisture meter reading, less than 10%) and that it is flush with the face of the ELEGANZA Panel.



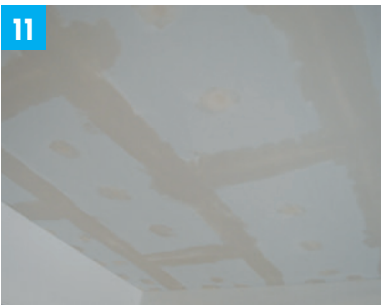
8 Any unevenness in the first layer of ELEGANZA Acoustic Joint Filler can be scraped off, or sanded (150gsm paper) of using the drywall filler trowel.



9 Apply a second layer of ELEGANZA Acoustic Joint Filler in a total width of approx. 15cm along all **panel joints and fixing points**.



10 During application, continuously check the flatness of the ELEGANZA Acoustic Joint Filler. It should be flush with the face of the ELEGANZA panel.



11 Let the ELEGANZA Acoustic Joint Filler dry for at least 6 hours or as long as necessary depending on the environmental conditions (see page 4).



12 Before starting the application of ELEGANZA Acoustic Joint Finish, the second layer of ELEGANZA Acoustic Joint Filler must be checked to ensure that it is fully dry (using moisture meter reading, less than 10%) and that it is flush with the face of the ELEGANZA Panel.

Any unevenness in the second layer of ELEGANZA Acoustic Joint Filler can be scraped off, using the drywall filler trowel or sanded using 150gsm sandpaper.

3.c: ELEGANZA Acoustic Joint Finish Application



13

Apply a layer of ELEGANZA Acoustic Joint Finish in a total width of approx. 20cm along all panel **joints and fixing points**.



14

During application, continuously check the flatness of the ELEGANZA Acoustic Joint Finish. It should be flush with the face of the ELEGANZA panel.



15

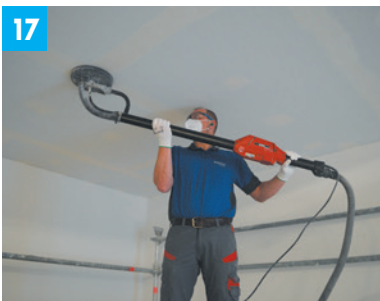
Let the ELEGANZA Acoustic Joint Finish dry for at least 8 hours or as long as necessary depending on the environmental conditions (see page 4).



16

Once dry, check the ELEGANZA Acoustic Joint Finish for flatness and correct any unevenness if needed using the drywall filler trowel.

3.d: Sanding of panel joints/fixing points



17

Sand the filled panel joints and fixing points using 150gsm sandpaper so that they are smooth and flat.



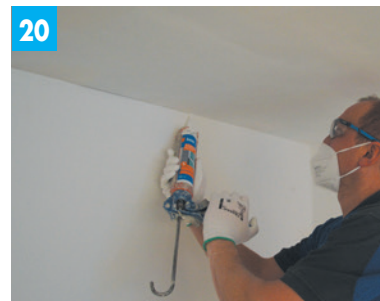
18

Lightly sand the ELEGANZA Panel surface using 150gsm sandpaper.



19

After sanding check the flatness of the panel joints and fixing points.



20

Seal the connection between the ceiling and the wall with Knauf Fix & Finish Maleracryl.

STEP 4:

ELEGANZA SILENT PLASTER ACOUSTIC FINISH APPLICATION



Components and Specialist Equipment for ELEGANZA Silent Plaster Application



Item reference	Designation	length	Dimensions (mm) width	height	Content/ Bucket (kg)	Material quantity/m ²
712920	ELEGANZA Silent Plaster	Ø390	-	278	20	2 kg
-	Spray pump	-	-	-	-	-
-	Compressor	-	-	-	-	-

Tools required:

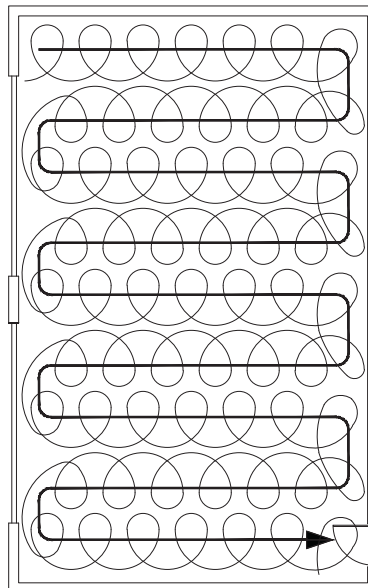
Protective film, masking tape, compressor, sprayer, hearing protection, safety glasses, safety gloves, dust mask and overalls.

Information: Knauf Ceiling Solutions requires suitable spray pumps and compressor. Further information can be found in the "ELEGANZA™ Spray Equipment" document.

Spraying method:

ELEGANZA Silent Plaster should be applied using a smooth gentle movement in overlapping layers following the method shown in the diagram below.

Before the ELEGANZA Silent Plaster is applied, service integrations such as access hatches, light fitting frames etc. must be installed. This also includes any reinforcements or suspensions.



Note: An interim acceptance should be agreed with the client before applying the spray plaster.

ELEGANZA SILENT PLASTER APPLICATION

Before application of ELEGANZA Silent Plaster, double check the ELEGANZA installation to ensure that it is correctly installed and all joints are dry and flat.



1

Use protective sheeting to cover all non-ELEGANZA surfaces, as well as installations, cut-outs, edge profiles, etc.



2

Briefly stir the ELEGANZA Silent Plaster.



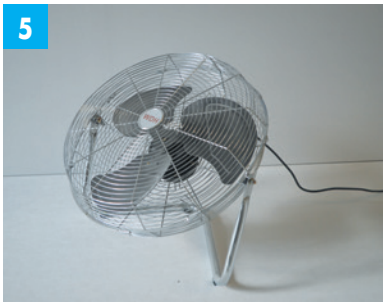
3

Fill the ELEGANZA Silent Plaster Spray Applicator with the ELEGANZA Silent Plaster. Check the settings and run a test on a sample surface.



4

Apply the ELEGANZA Silent Plaster using a smooth gentle movement following the diagram on page 17 to give a fine and even coverage. The first layer should provide approx. 80% of the visual coverage.



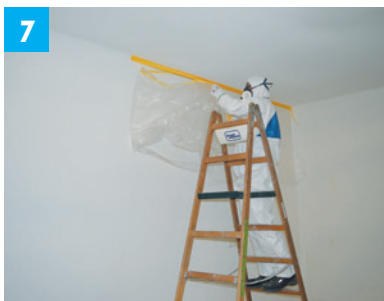
5

Let the first ELEGANZA Silent Plaster layer dry for at least 8 hours (using moisture meter reading, less than 10%) or as long as necessary depending on the environmental conditions.



6

Before applying the second layer of ELEGANZA Silent Plaster, check that the first layer is fully dry (using moisture meter reading, less than 10%). Apply a second layer of ELEGANZA Silent Plaster to add the final 20% of the visual coverage ensuring a fine and even finish.



7

It is recommended to remove protective sheeting as soon as possible after spraying. When doing so, make sure not to have any contact with the freshly sprayed surface.



8

Allow the second layer of ELEGANZA Silent Plaster to dry for 24 hours or as long as necessary depending on the environmental conditions. If possible, use mechanical ventilation. Only after this time can technical surface elements be installed.

INTEGRATION OF SERVICE ELEMENTS

One of the unique features of the ELEGANZA™ Seamless Acoustics system is the 25mm panel thickness which allows many standard accessories for 25mm (2x12.5mm) plasterboard ceilings to be used.

■ Lighting

Standard light weight ceiling integration (≤ 0.3 kg) built on the ceiling can be installed without an additional reinforcement. For heavy installations, a reinforcement must be used. This must distribute the load directly to the Rapid'Fix Grid System. Depending on the weight of the lighting and the reinforcement, additional suspension may be required. For more information, please see page 27.

■ Expansion joints

Where expansion joints are necessary, the appropriate stock expansion joint profiles for 25mm plasterboard can be used. Please take national regulations and standard into account. Furthermore, you can find more information in the guideline for "Seamless Acoustic Ceilings". This is available on request by Knauf Ceiling Solutions.

■ Access hatches

For locations where access to the plenum is needed, a standard inspection hatch designed for 25mm plasterboard may be used. Always refer to the guidelines of the inspection hatch manufacturer. To create additional support, Rapid'Fix Cross Tees can be used to create a frame for inspection hatches. For further information, please see page 29. Advance planning of access hatch locations is required when defining the layout of the grid. The surface of the inspection hatch may also be sprayed with ELEGANZA Silent Plaster to create a homogeneous appearance.



ATTENTION:

A suspended ceiling construction is basically only intended to support its own weight. This applies not only to seamless acoustic ceilings, but also for suspended plasterboard ceilings and system ceilings. Additional loads must be known in advance and, if necessary, appropriate constructive action must be taken. As soon as third parties start to apply extra loads to this ceiling (lamps, ventilation boxes, etc.), they will have to investigate whether the ceiling is suitable for this, or a reinforced construction or direct attachment to the upper storey floor will have to be made. The party that realises the extra load on the ceiling is legally responsible.

CLEANING, MAINTENANCE AND REPAIR

CLEANING AND MAINTENANCE

■ Cleaning

For general cleaning of the ELEGANZA™ Seamless Acoustics system use a clean, soft brush or vacuum cleaner in low vacuum mode. The use of water, soap or chemical cleaners is not recommended as this may cause marking / damage to the ceiling.

■ Respraying

The ELEGANZA™ Seamless Acoustics system can be resprayed with a thin layer of ELEGANZA Silent Plaster to freshen it up or to cover up natural discolouration.

Before respraying, all minor damaged areas and air leaks must be corrected. It must be ensured that the ELEGANZA ceiling is completely dry. Prior to the application of the Silent Plaster, the existing surface must be lightly sanded with sandpaper (150gsm) to obtain an even final coat.

Note: The application of an additional layer of ELEGANZA Silent Plaster, paint or other coating will affect the technical performance of ELEGANZA. These include sound absorption, building material classification, light reflection and others.

REPAIRING

■ Small cracks and superficial damage

Any small cracks or surface damage can be locally repaired by filling them using the ELEGANZA Acoustic Joint Filler and ELEGANZA Acoustic Joint Finish. Once dry, lightly sand the surface and then apply a thin layer of ELEGANZA Silent Plaster.

■ Larger cracks and damage

If there are larger cracks or significant damage which cannot be repaired locally, the damaged ELEGANZA panel can be removed, replaced and re-finished following the steps below:

- Carefully remove the ELEGANZA panel
- Check the Airtight tape is still intact
- Replace the damaged panel with a new one
- Sand the area adjacent to replacement panel
- Fill the joints using ELEGANZA Acoustic Joint Filler and ELEGANZA Acoustic Joint Finish as per the guidelines
- Lightly sand the surface
- Apply a thin layer of ELEGANZA Silent Plaster as per the guidelines

Note 1: Ceilings which have naturally discoloured may require complete respraying of the surface to prevent visible colour differences. See spraying instructions on page 19.

Note 2: Local repairs and replacement will increase the risk of visible joints under grazing light conditions.

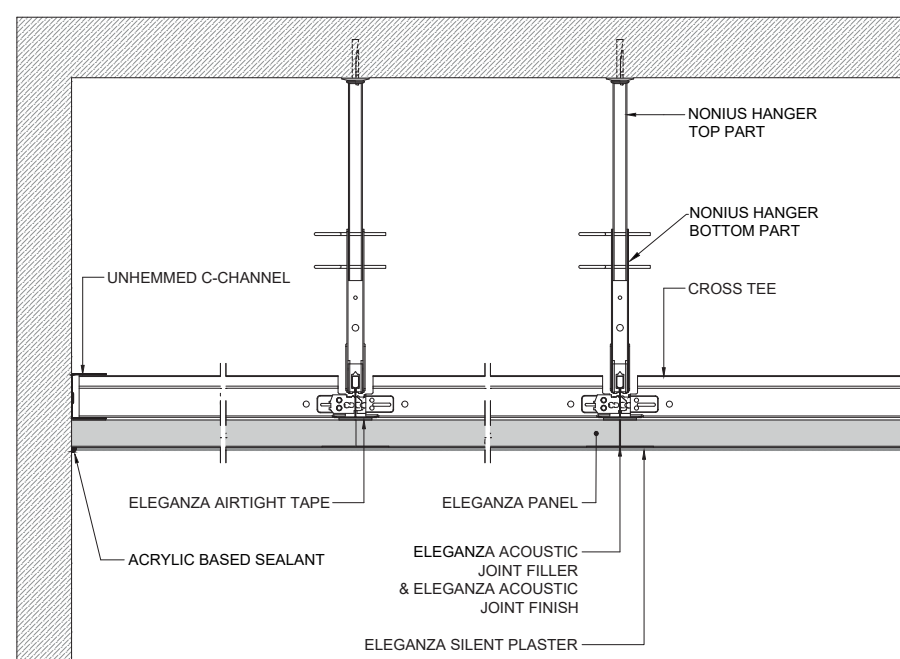
Maintenance and repair of an ELEGANZA™ Seamless Acoustics system should only be performed by a certified ELEGANZA installer.

GENERAL GUIDELINES AND COMMENTS

- To understand the quality requirements and assess the installation quality for ELEGANZA™ Seamless Acoustics system, the standard of the Technical Finishing Industry Board (TBA) is used: TBA guideline 3.7 for ceilings and walls “Processing instructions for installing and finishing seamless acoustic ceilings.”
.....
- The installation of an ELEGANZA seamless acoustic ceiling requires particular attention to detail. Demanding craft work is required. For this reason, it is essential to regularly monitor the quality of each work step.
.....
- The application details and variants shown in this installation guideline may not cover all installation situations. Non-included installation situations, variations as well as additional requirements have to be clarified with Knauf Ceiling Solutions on an individual basis.
.....
- The installation guidelines of the ELEGANZA™ Seamless Acoustics system are designed to assist the installer in achieving a high quality seamless ceiling. Strict adherence to the installation guidelines is necessary to ensure a quality result.
.....
- Changing components or the use of alternatives may affect the quality of the finished ceiling. The use of alternative components, except in special circumstances and with the express permission of Knauf Ceiling Solutions, is not permitted.
.....
- In addition to the information in this installation manual, generally acknowledged standards of technology, additional standards, higher-level regulations, etc. must be observed. Building situations or object-related deviations must be clarified individually.
.....
- The occupational health and safety guidelines must be observed. Observe the manufacturers safety instructions for use of the tools and always wear personal protective equipment such as safety goggles, helmet, etc.
.....
- In the unlikely event of health problems, please refer to the appropriate safety datasheet. Safety Datasheets for each of these products are available on request.
.....

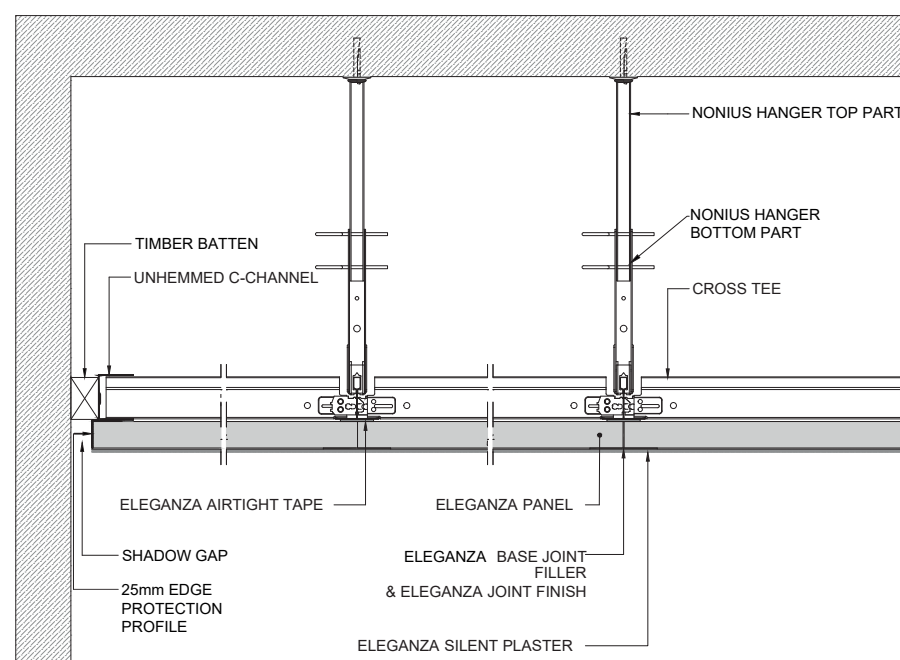
ELEGANZA™ APPLICATION DETAILS AND VARIATIONS

PERIMETER DETAIL



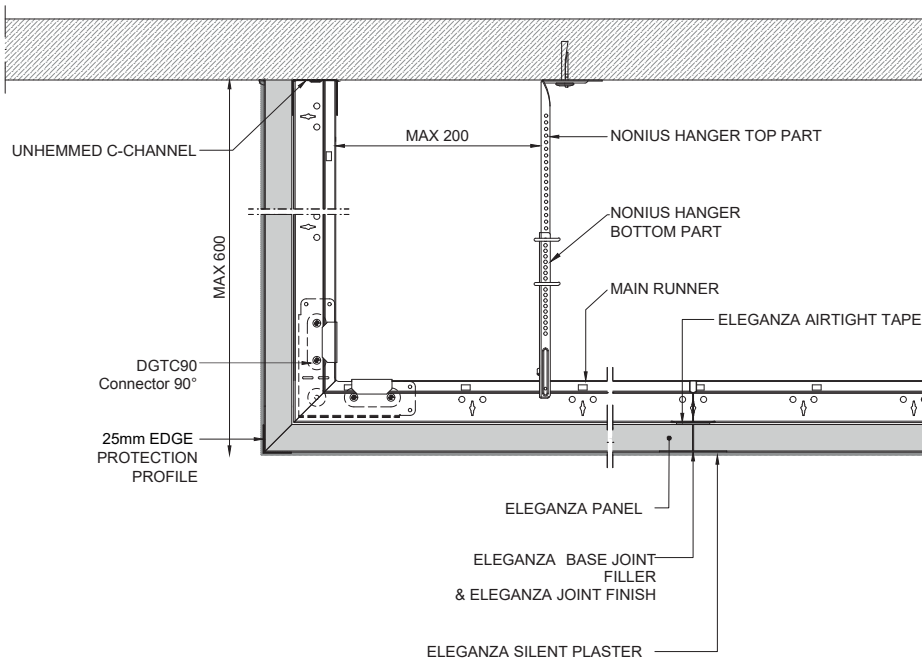
Sufficient air passage must be provided to equalise pressure between the room and plenum (e.g., Shadowgap Perimeter or floating perimeter along at least one edge).

SHADOWGAP PERIMETER DETAIL



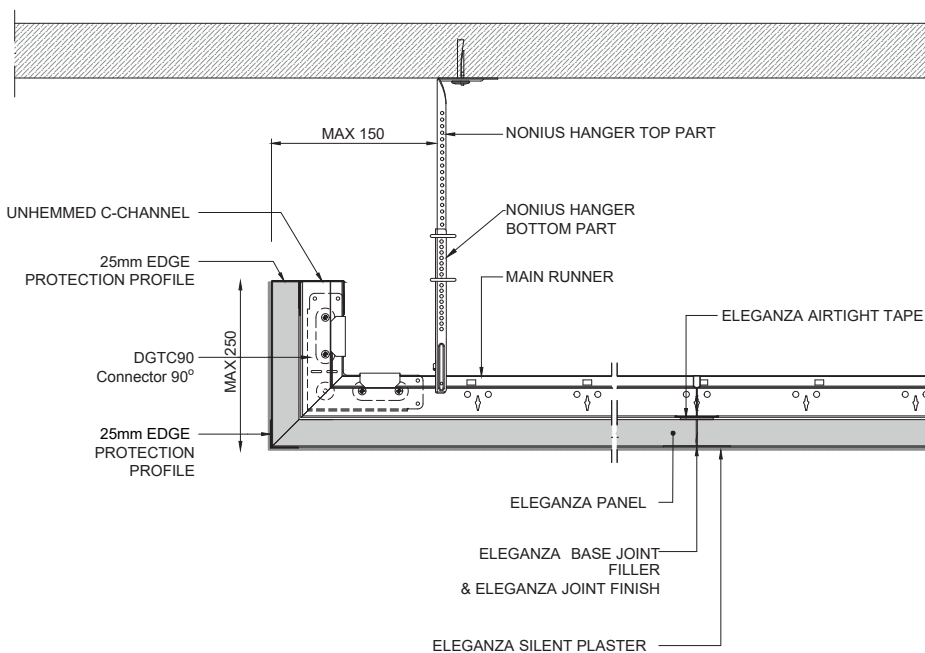
Allow sufficient air passage through timber batten (drilled holes or gaps between battens) to equalise pressure between the room and plenum.

UPSTAND / BULKHEAD DETAIL



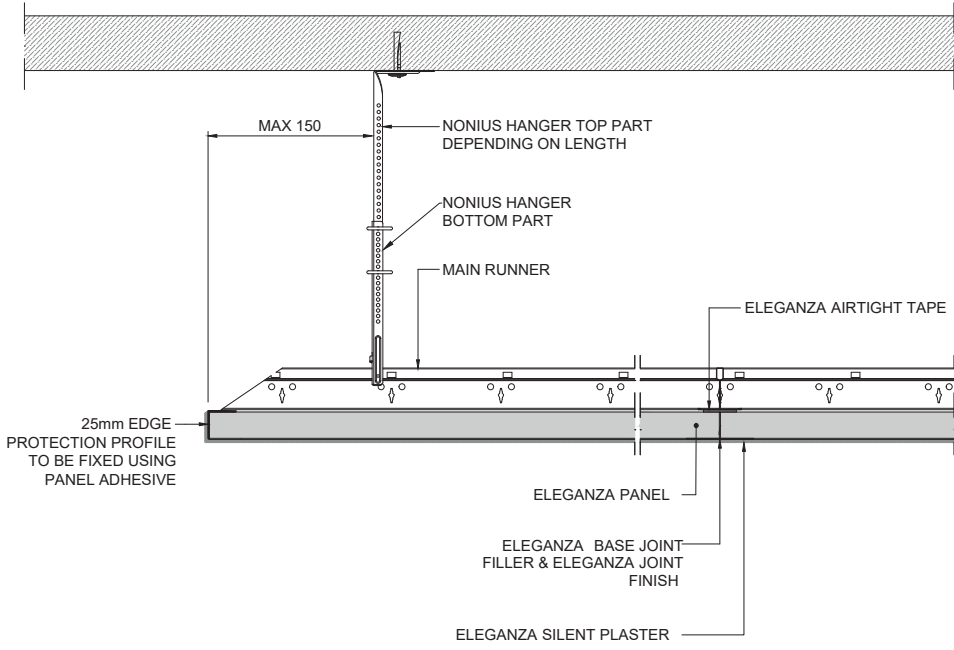
For all-round design as Upstand or Bulkhead Detail a sufficient air passage must be provided to equalise pressure between the room and plenum (e.g., Shadowgap Perimeter or floating perimeter along at least one edge).

FLOATING UPSTAND DETAIL



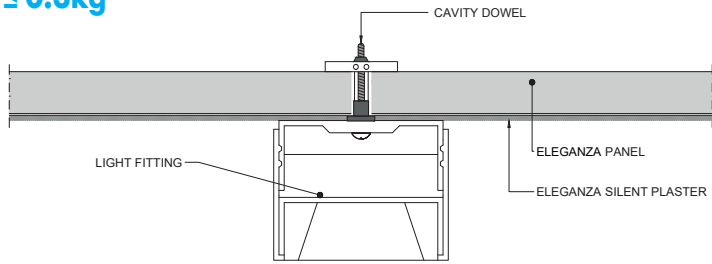
For installations unattached to any walls, an appropriate lateral bracing may be required.

SLIMLINE FLOATING EDGE DETAIL

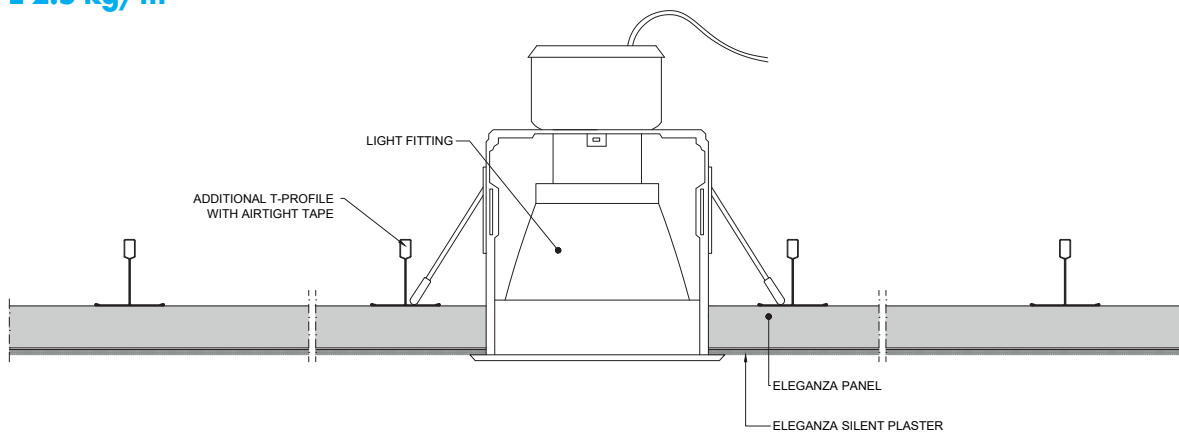


For installations unattached to any walls, an appropriate lateral bracing may be required.

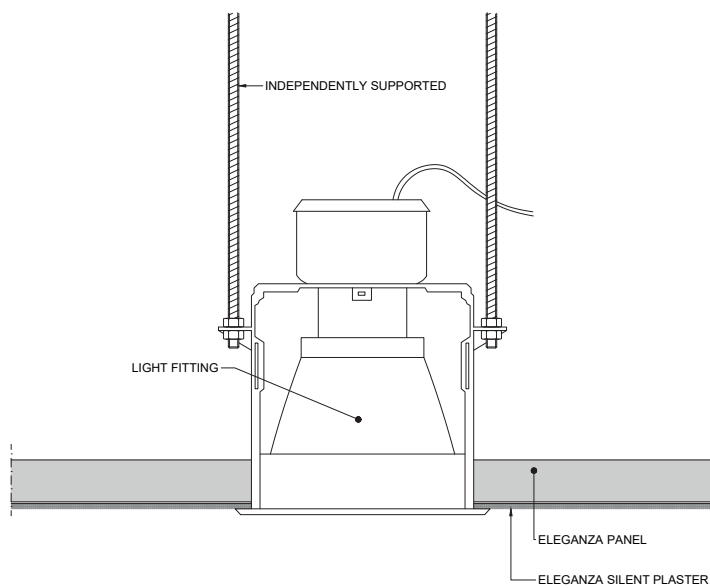
LIGHT / SERVICE FITTING
 $\leq 0.3\text{kg}$



LIGHT / SERVICE FITTING
 $\leq 2.5 \text{ kg/m}^2^*$

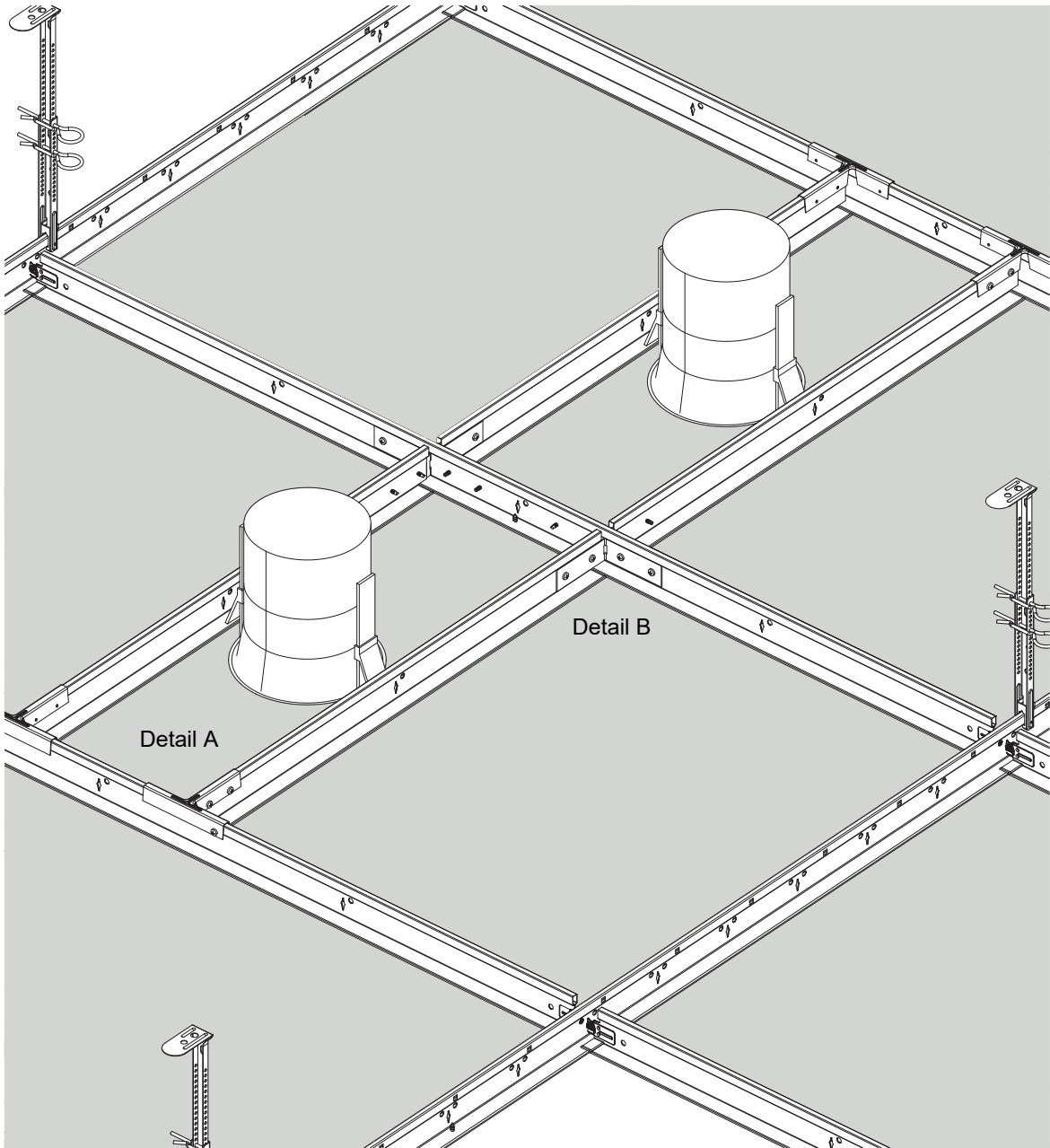


LIGHT / SERVICE FITTING
 $>2.5\text{kg}$

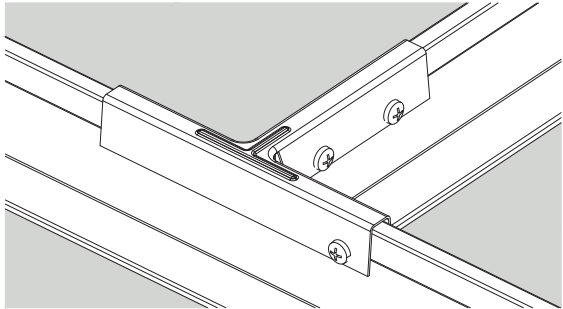


* This assumes the fulfilment of the requirements of the load table.

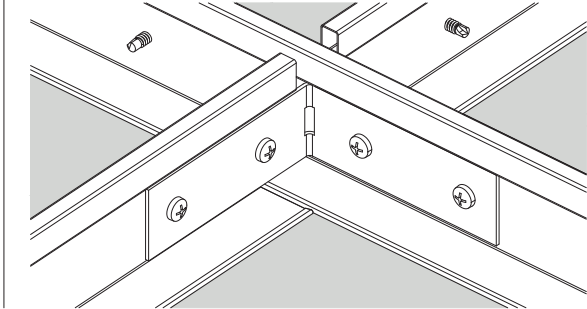
**EXAMPLE SERVICE LAYOUT
FOR SERVICE FITTINGS $\leq 2,5 \text{ kg/m}^2$**



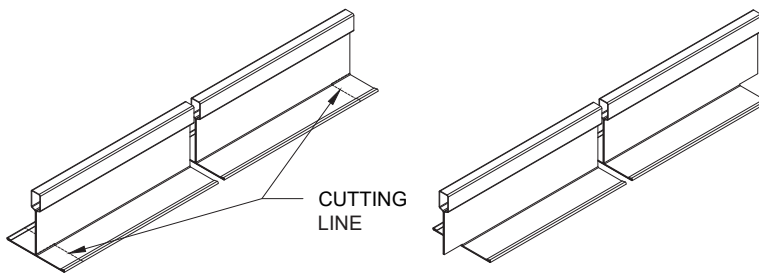
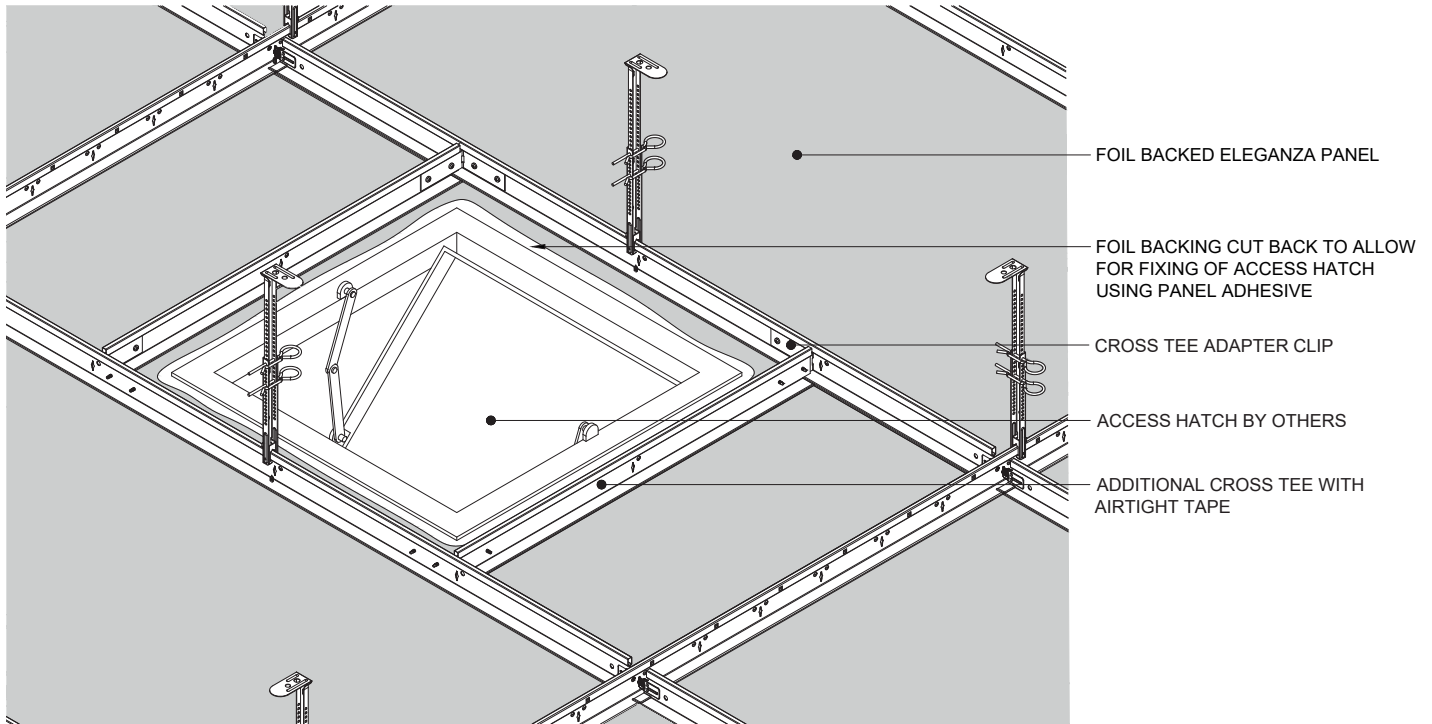
DETAIL A - CONNECTOR DB3



DETAIL B - CROSS TEE ADAPTER CLIP

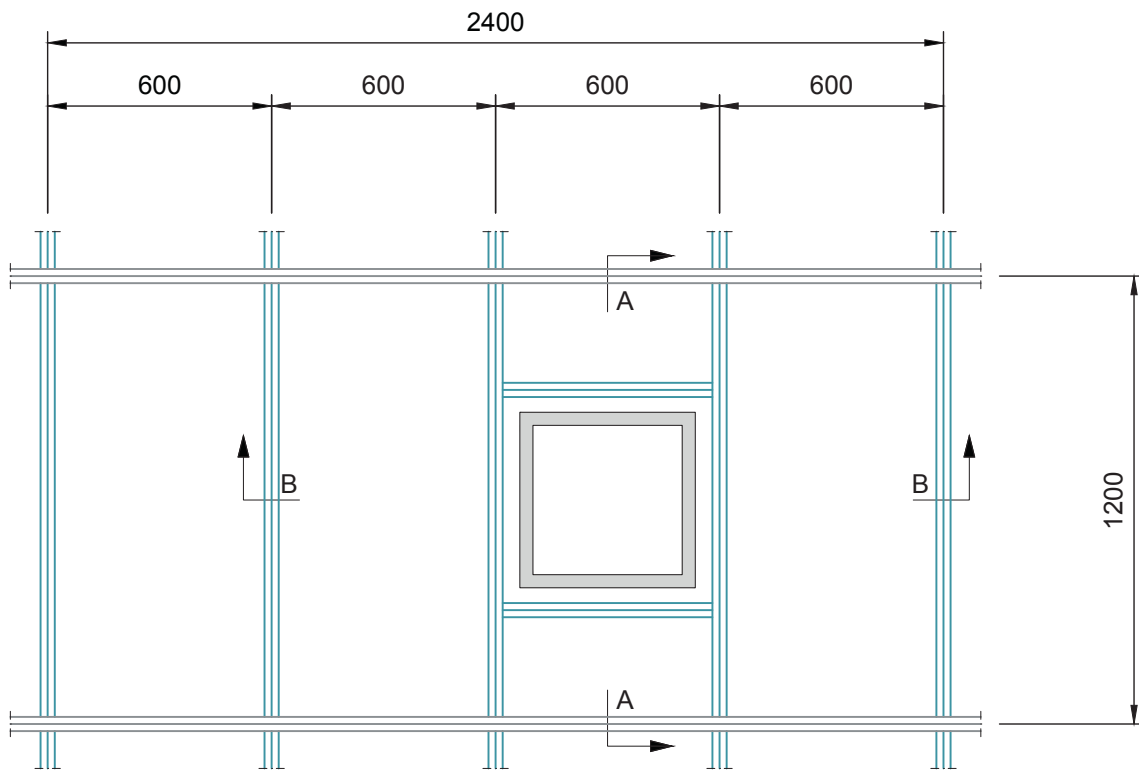


TYPICAL ACCESS HATCH DETAIL *

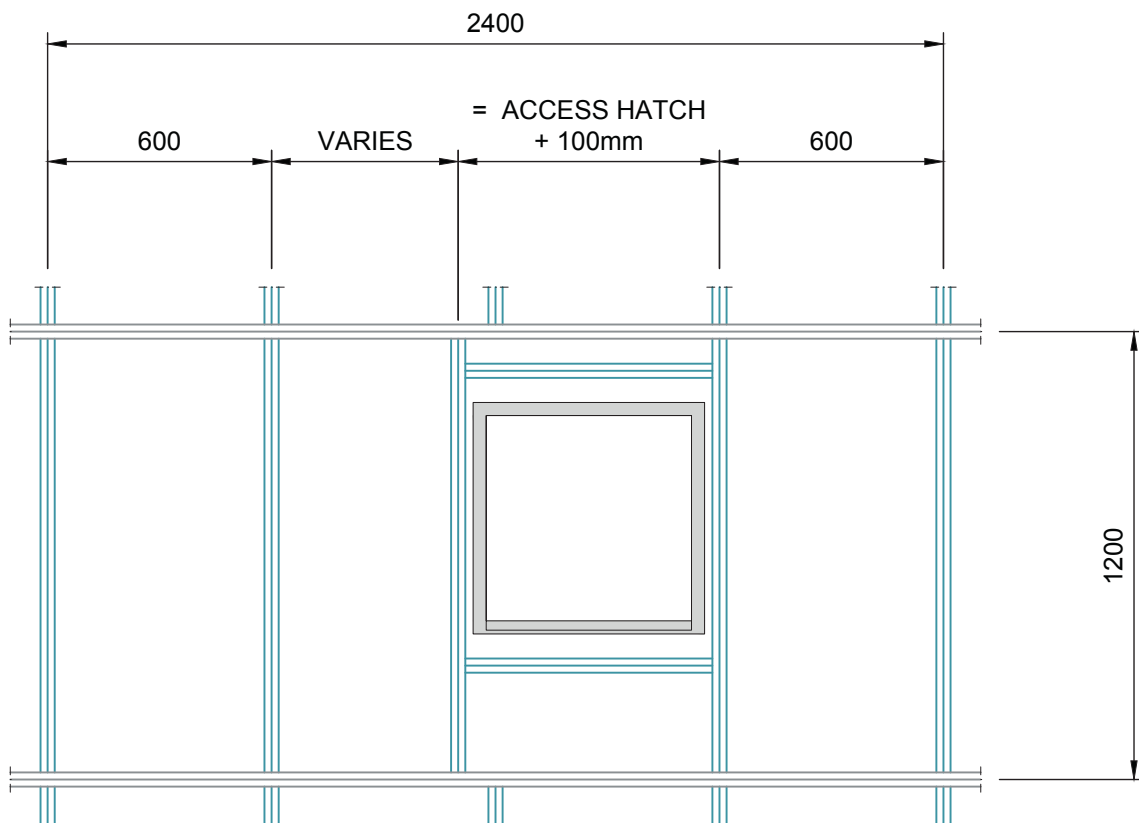


* Similar general conditions apply as for light/service fittings, see page 27.

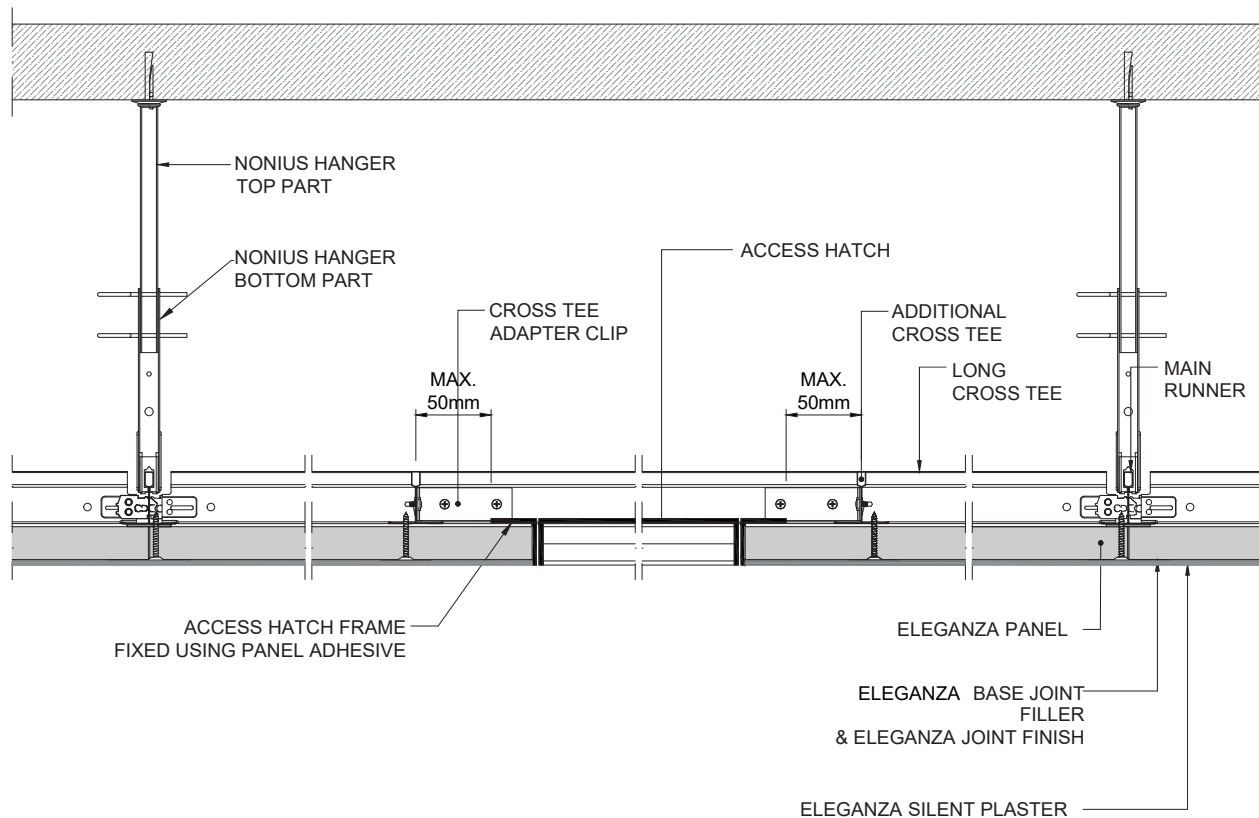
TYPICAL ACCESS HATCH DETAIL
ACCESS HATCH ≤ 500mm



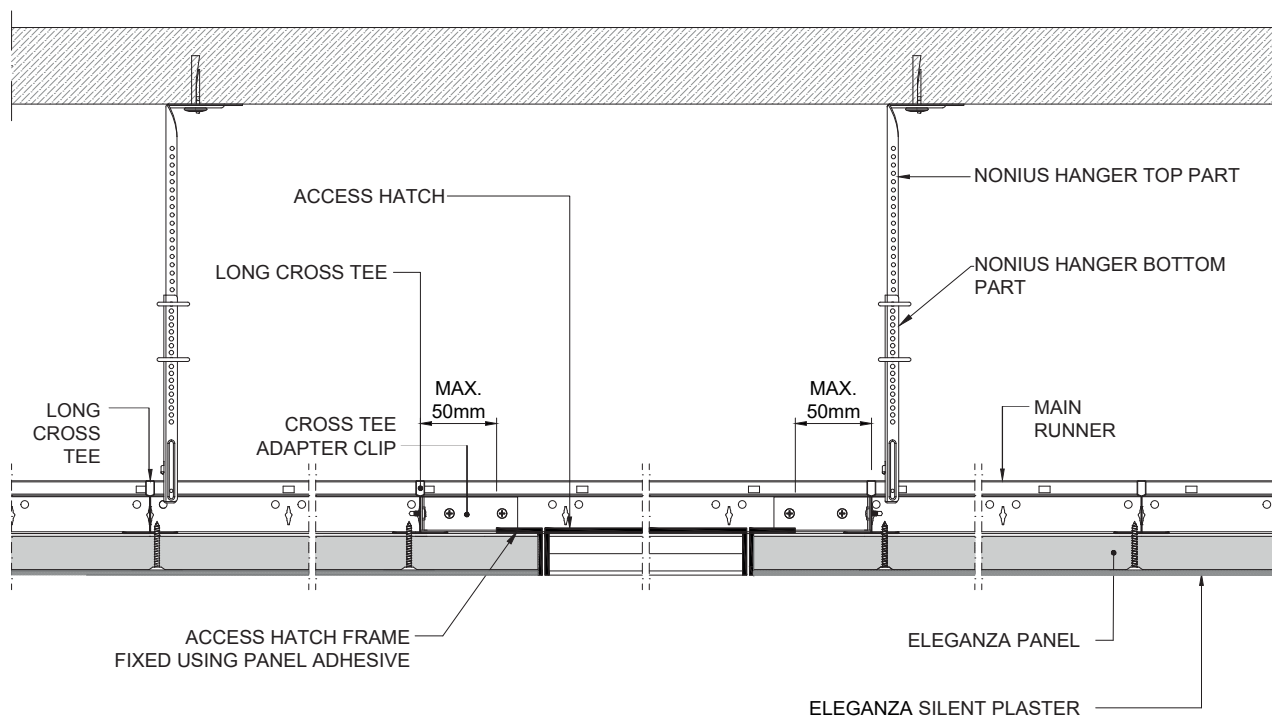
ACCESS HATCH > 500mm



TYPICAL ACCESS HATCH DETAIL SECTION A-A



SECTION B-B





E ELEGANZA[®]
Seamless Acoustics

www.knaufceilingsolutions.com